

BLOOMFIELD®

Lo-Profile® Model 8543, 2-Station Pour-Over Coffee Brewer

LO-PROFILE® DESIGN:

- less than 17" high, 14" deep . . . provides more brewing and holding capacity in less space.
- fits easily under cabinets, on counter tops.
- the modern look for today's decor.

FEATURES:

- ALL STAINLESS STEEL, HEAVY GAUGE CONSTRUCTION.
Easy to maintain, easy to clean.
- "READY-TO-BREW" LIGHT.
Indicates proper water temperature to assure optimum coffee flavor.
- PATENTED WATER DELIVERY SYSTEM WITH EXCLUSIVE WATER SPREADER DISC.
Assures correct amount of water for every brew. No pressure points, no lime build-up. Spreads water gently over coffee grounds, creating a floating action and complete saturation of coffee for maximum coffee flavor.
- ONE PIECE, PORCELAIN ENAMELED WARMER PLATES.
Spin on/off for easy cleaning and servicing. Designed to position decanter securely.
- EXCLUSIVE, EASY ACCESS TANK LID ASSEMBLY.
Top is easily removed by loosening two screws for easy access to tank lid cover on which all controls are mounted.
- STAINLESS STEEL ROBERTSHAW THERMOSTAT.
Pre-set at factory . . . unit is ready for operation at installation. Full-length stainless steel sensing bulb senses water temperature more accurately, cycles less frequently, lasts longer.
- ONE PIECE DRAWN VERTICAL STAINLESS STEEL WATER TANK.
For more efficient heating and indestructibility.
- 100 WATT CALROD WARMER ELEMENTS.
- HEAVY DUTY LIGHTED WARMER SWITCHES.
Easy to see when warmer is on or off.
- ADJUSTABLE RUBBER FEET.
Allows leveling of brewer in any situation.
- TEFLON COLOR CODED WIRING.
Quick-disconnect plugs for easy servicing on electrical components.
- LOW WATT DENSITY HEATING ELEMENT.
Reduces element surface temperature, chance of failure and extends element life.
- U.L., N.S.F. and C.S.A. Listed.
- Export model available in 240 volt (not U.L. Listed).

BLOOMFIELD®



Bloomfield® Means Quality Built Into Every Brewer

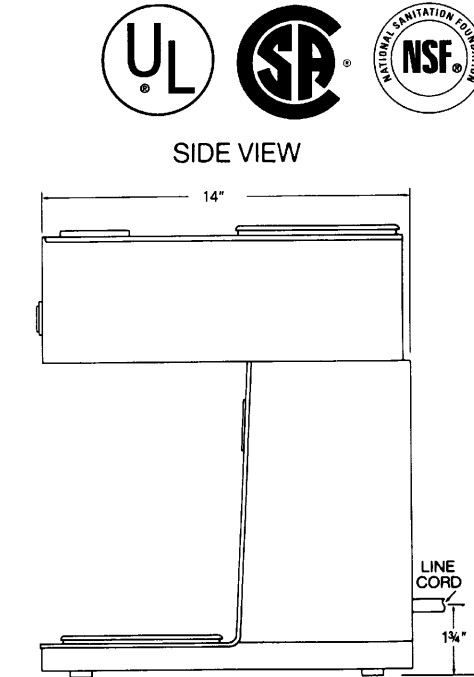
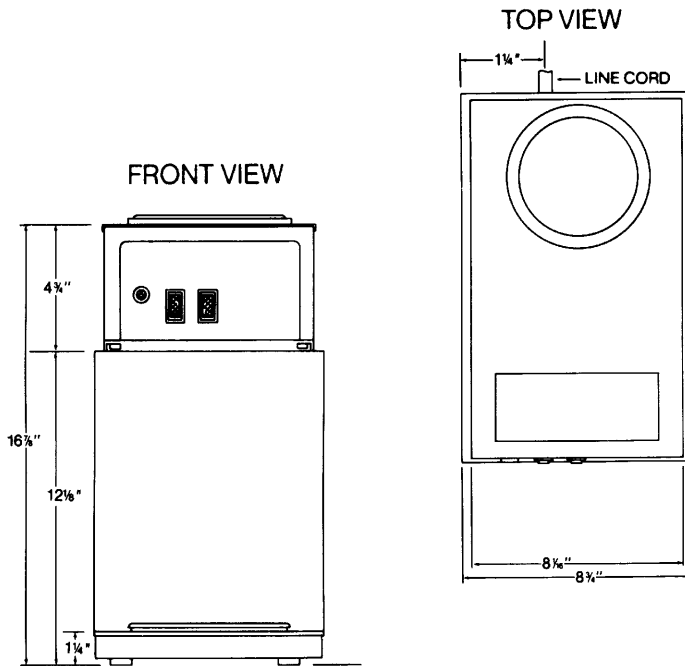
Bloomfield has established a new tradition in brewing: trouble-free, dependable equipment. Starting with the finest electrical components and top quality stainless steel, each coffee brewer is designed, engineered and built to give efficient worry-free service, year after year.

And the Bloomfield Lo-Profile brewing system offers an array of models, sizes and features to meet your exact needs.

In restaurants, offices or anyplace where rich, flavorful coffee is important, the preferred choice is Bloomfield.

SPECIFICATIONS

MODEL: 8543



DIMENSIONS:

14" deep, 8³/₄" wide, 16⁷/₈" high.

Brewer ships complete with 25 filters and stainless steel brew basket. Shipping weight: 21 lbs., Cube: 2.90

ELECTRICAL SPECIFICATIONS:

Model #8543: 120 volts, A.C. 60/Hz. 1,500 watt tank element. Total wattage: 1,700 watts, 15 amps. Furnished with 3 wire grounded cord and plug NEMA 5-15P, single phase.

***Export Model 8543 Available:** 240 volts, A.C. 50/60/Hz. 1,500 watt tank element. Total wattage: 1,700 watts, 7 amps. Furnished with 3 wire grounded cord and plug, single phase.

***For Canada Model 8543CA:** C.S.A. Certified, 120 volts, A.C. 60/Hz. 1,300 watt tank element. Total wattage: 1,500 watts, 13 amps. Furnished with 3 wire grounded cord and plug NEMA 5-15P, single phase.

*Export models available

BREWER ACCESSORIES (Not Illustrated):

Model #8545: Double Module Connecting Kit. Connects Brew Module and One Double Step-Up Warmer Module.

Model #8544: 4" Extension Leg Kit, Stainless Steel (4 each).

For all Bloomfield Brewers.

ACCESSORIES



#8553 Modular 2-Station Step-up Double Warmer. 120 volts, 200 watts. 14" deep, 7¹/₂" wide, 5³/₄" high. Cord and plug included. (7 lbs.) Lo-Profile



Unbreakable Plastic and Stainless Steel Decanters. Made of Udel™ polysulfone and 18-8 stainless steel. 10-12 cup capacity. **Model 8889:** Unbreakable DECAF Decanter with orange handle. **Model 8890:** Unbreakable Decanter with black handle.



#8730 Integrity® Coffee Grinder. Heavy gauge steel construction. 120 volts, A.C. 60/Hz. 14¹/₂" deep, 8³/₄" wide, 22" high. (31" high with top open). Complete with cord and plug.

BLOOMFIELD®

BLOOMFIELD INDUSTRIES • 2 ERIK CIRCLE P.O. BOX 280, VERDI, NV 89439
1-800-777-0450 • Fax: 1-800-356-5142
In Canada: 5850 KEATON CRESCENT, MISSISSAUGA, ONTARIO L5R 3K2 • 905-507-1700
Fax: 905-507-1777

Specifications subject to change without notice.