

BLOOMFIELD®

Lo-Profile® Model 8571, 3-Station Pour-Over Coffee Brewer

LO-PROFILE® DESIGN:

- less than 17" high, 14" deep . . . provides more brewing and holding capacity in less space.
- fits easily under cabinets, on counter tops.
- the modern look for today's decor.

FEATURES:

- ALL STAINLESS STEEL CONSTRUCTION.
Easy to maintain, easy to clean.
- "READY-TO-BREW" LIGHT.
Indicates proper water temperature to assure optimum coffee flavor.
- PATENTED WATER DELIVERY SYSTEM WITH EXCLUSIVE WATER SPREADER DISC.
Assures correct amount of water for every brew. No pressure points, no lime build-up. Spreads water gently over coffee grounds, creating a floating action and complete saturation of coffee for maximum coffee flavor.
- ONE PIECE, PORCELAIN ENAMELED WARMER PLATES.
Spin on/off for easy cleaning and servicing. Designed to position decanter securely.
- EXCLUSIVE, EASY ACCESS TANK LID ASSEMBLY.
Top is easily removed by loosening two screws for easy access to tank lid cover on which all controls are mounted.
- STAINLESS STEEL ROBERTSHAW THERMOSTAT.
Pre-set at factory . . . unit is ready for operation at installation. Full-length stainless steel sensing bulb senses water temperature more accurately, cycles less frequently, lasts longer.
- ONE PIECE DRAWN VERTICAL STAINLESS STEEL WATER TANK.
For more efficient heating and indestructibility.
- 100 WATT CALROD WARMER ELEMENTS.
- HEAVY DUTY 16 AMP LIGHTED WARMER SWITCHES.
Easy to see when warmer is on or off.
- ADJUSTABLE RUBBER FEET.
Allows leveling of brewer in any situation.
- TEFLON COLOR CODED WIRING.
Eliminates guesswork on all electrical connections.
- LOW WATT DENSITY HEATING ELEMENT.
Reduces element surface temperature, chance of failure and extends element life.
- Export model available in 240 volt.
- U.L., N.S.F. and C.S.A. Listed.



Bloomfield® Means Quality Built Into Every Brewer

Bloomfield®, the world-class producer of state-of-the-art beverage equipment, has established a new tradition in brewing: trouble-free, dependable equipment. Starting with the finest electrical components and top quality stainless steel, each coffee brewer is designed, engineered and built to give efficient worry-free service, year after year.

And the Bloomfield® Lo-Profile® brewing system offers an array of models, sizes and features to meet your exact needs.

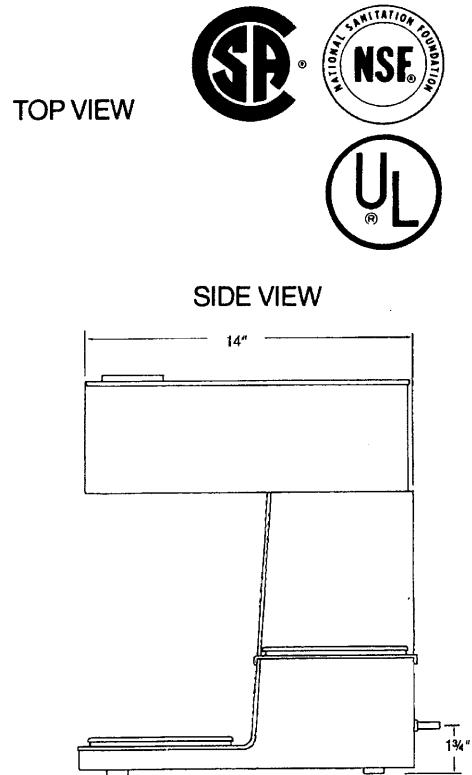
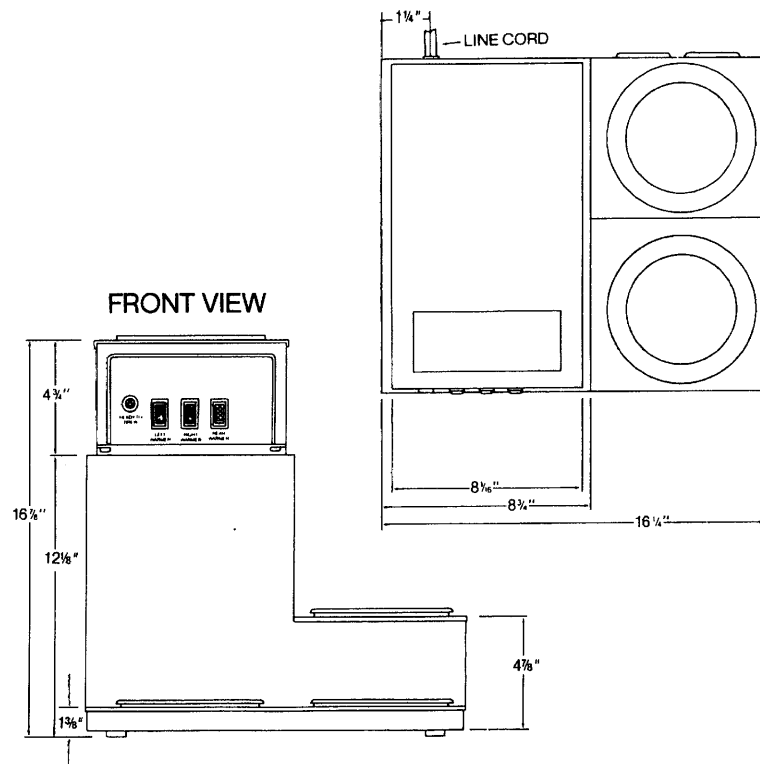
In restaurants, offices or anyplace where rich, flavorful coffee is important, the preferred choice is Bloomfield®.

BLOOMFIELD®

BLOOMFIELD INDUSTRIES • 2 ERIK CIRCLE P.O. BOX 280, VERDI, NV 89439
1-800-621-8556 • Fax: 1-800-356-9142
In Canada: 5850 KEATON CRESCENT, MISSISSAUGA, ONTARIO L5R 3K2 • 905-507-1700
Fax: 905-507-1777

SPECIFICATIONS

MODEL: 8571



DIMENSIONS:

14" deep, 16 1/4" wide, 16 5/8" high.
Cube measurement: 4.57.

Brewer shipped complete with: 25 filters and brewing funnel. Shipping weight, 27 lbs.

ELECTRICAL SPECIFICATIONS:

Model #8571. 120 volts, A.C., 60/hz. 1,500 watt tank element. Total wattage: 1,800 watts, 15 amps. Complete with cord and plug.

For Canada: C.S.A. certified #8571; 120V, 1200 watt tank, 1500 total watts.

BREWER ACCESSORIES. (Not Illustrated)

#8545. Double Module Connecting Kit. Connects Brew Module and One Double Step-Up Warmer Module.

#8544. 4" Extension Leg Kit.
For all Bloomfield Brewers.

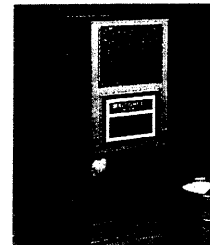
ACCESSORIES



#8553 2-Station Step-up Warmer. 120 volts, 200 watts, 14" deep, 7 1/2" wide, 5 3/4" high. Cord and plug included. (5 lbs.) Lo-Profile.



Koffee-King® Decanters. Made of Udel™ polysulfone and 18-8 stainless steel. 10-12 cup capacity. Virtually unbreakable.
#8889. Decaffeinated Decanter. Orange.
#8890. Koffee-King® Decanter. Black.



#8730 Integrity® Coffee Grinder. Heavy gauge steel construction. 115 volts, A.C. 60/hz. 14 1/2" deep, 8 3/4" wide, 22" high (31" high with top open). Complete with cord and plug.

BLOOMFIELD®

BLOOMFIELD INDUSTRIES • 2 ERIK CIRCLE P.O. BOX 280, VERDI, NV 89439
1-800-621-8556 • Fax: 1-800-356-5142
In Canada: 5850 KEATON CRESCENT, MISSISSAUGA, ONTARIO L5R 3K2 • 905-507-1700
Fax: 905-507-1777

Specifications are subject to change without notice.